

# Humidifier

**HOMEOWNER'S OPERATING MANUAL**





# Humidifier

## INTRODUCTION

Safety Definitions and Precautions . . . . .	2
Welcome . . . . .	3
How is the humidifier different from other flow-through humidifiers? . . . . .	3
How should I get started? . . . . .	3
How does the humidifier work? . . . . .	4

## YOUR NEW HUMIDIFIER

Which humidifier model do I have? . . . . .	5
How is my humidifier installed? . . . . .	6
What humidifier parts do I need to know? . . . . .	7
What should I expect from my humidifier? . . . . .	8

## EVERYDAY OPERATION

How do I operate the humidifier? . . . . .	9
How do I use the humidity control? . . . . .	9
What should my humidity setpoint be? . . . . .	9
What is a frost setting? . . . . .	9
Humidifier lights and button . . . . .	10

## CLEANING AND MAINTENANCE

Replace the humidifier pad . . . . .	11
What should I do at the end of the season? . . . . .	12
Troubleshooting . . . . .	13

## WARRANTY

5-Year Limited Warranty . . . . .	14
-----------------------------------	----



**NEED HELP?** For assistance with this product please visit <http://yourhome.honeywell.com> or call Honeywell Customer Care toll-free at 1-800-468-1502.

**Read and save these instructions.**

© U.S. Registered Trademark. Patents pending. Copyright © 2010 Honeywell International Inc. All rights reserved.

# Safety Definitions and Precautions



## Must be installed by a trained, experienced technician.

Read these instructions carefully. Failure to follow these instructions can damage the product or cause a hazardous condition.




Please read this manual completely. It is important that you understand how the humidifier works, and how to safely perform the required maintenance procedures. Read and understand all safety-related labels found on and posted near the humidifier. These labels provide additional instructions and important safety information.

### Safety Definitions

These safety terms identify information you must read.

-  **CAUTION:** Indicates a hazardous situation which, if not avoided, could cause bodily injury or property damage.
-  **WARNING:** Indicates a hazardous situation which, if not avoided, could result in death or serious injury.

### Safety Precautions

-  **WARNING:** Electrocutation Hazard.  
The humidifier uses 120 volts AC, which can cause death or serious injury. Take precautions when servicing the humidifier or when removing the cover. If in doubt, unplug the humidifier or disconnect HVAC equipment power before servicing.
-  **CAUTION:** Heavy Equipment and Water Hazard.  
Improper installation or misuse can cause death, blindness, and damage to home and HVAC equipment. Be sure you know how to turn the humidifier off.
-  **CAUTION:** Condensation, Fire, and Freezing Water Hazard.  
Can cause failure of fan or limit control, or result in water damage to home.

.....

# Welcome!

Congratulations on your new humidifier.

The Honeywell Humidifier provides the comfort of humidified air, with easier maintenance than traditional humidifiers. We are sure the humidifier will be a welcome addition to your home.

- **How is the humidifier different from other flow-through humidifiers?**

**All Models:**

- The humidifier operates automatically, just like a thermostat, to keep your home's humidity at the desired level.
- The humidifier is easier to maintain: just change the pad once a year. The pad is easily accessible and does not require tools to change it.
- The humidifier can deliver humidity when it's needed, not just when the heat is on. This allows you to achieve ideal humidity levels in your home year-round.

**Advanced Models:**

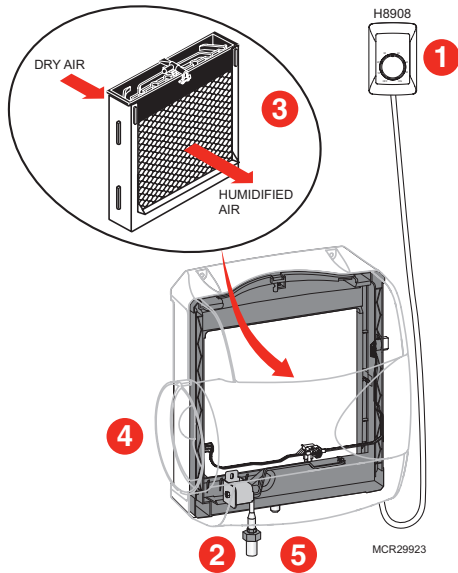
- The humidifier wastes less water than other flow-through humidifiers.

- **How should I get started?** Your humidifier must be installed by an HVAC professional. If the humidifier has just been installed, it should either be running and humidifying your home, or waiting for a humidity call from the humidity control.

Once the humidifier is running, all you have to do is use the humidity control to change the humidity to your desired comfort.

- Please read this manual completely for tips on getting the most out of your humidifier.
- Read your humidity control manual and make sure you know how to operate your system.
- If you have questions, now or later, please refer to this manual or ask your installer.

## How does the humidifier work?



1. A call for humidity comes from the humidity control provided with the humidifier. The humidity control is connected to the humidifier with wires.
2. The solenoid turns on, allowing water to run through the humidifier pad.
3. Air from your HVAC system flows through the pad, picking up moisture from the humidifier pad.
4. Your HVAC system fan delivers the humidified air throughout your home.
5. When humidity in your home reaches the setpoint, the humidity call ends and the solenoid turns off the water flowing across the pad.

# Which humidifier model do I have?

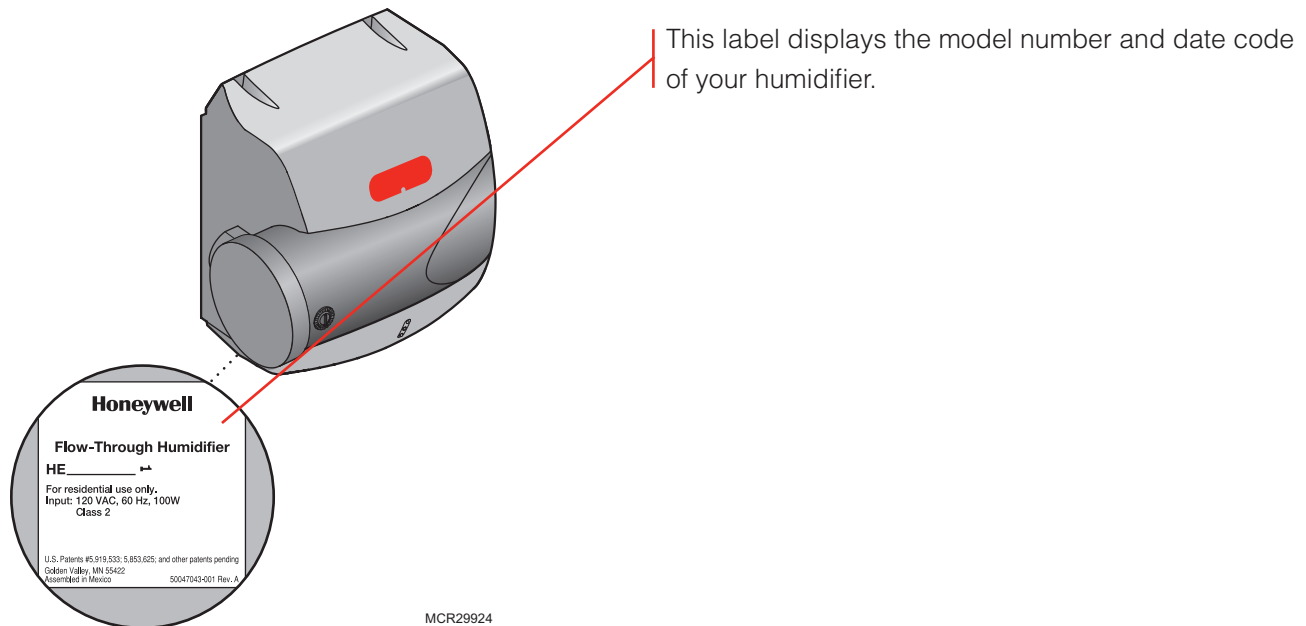
The humidifier is available in five models with different sizes and/or features:

- HE100 Delivers up to 12 gallons of humidity into your home. Suitable for homes up to 16,000 cubic feet in size.
- HE150 Delivers up to 12 gallons of humidity into your home. Suitable for homes up to 16,000 cubic feet in size. Includes automatic damper, status, maintenance, service LEDs, and advanced operation.
- HE200 Delivers up to 17 gallons of humidity into your home. Suitable for homes up to 20,000 cubic feet in size.
- HE250 Delivers up to 17 gallons of humidity into your home. Suitable for homes up to 20,000 cubic feet in size. Includes automatic damper, status, maintenance, service LEDs, and advanced operation.
- HE300 Delivers up to 18 gallons of humidity into your home. Suitable for homes up to 24,000 cubic feet in size. Includes automatic damper, status, maintenance, service LEDs, and advanced operation.

YOUR NEW  
HUMIDIFIER

Some activities in your home may create longer operating times for the humidifier. Vented fireplaces, high exhaust from fans, or driers can reduce humidity in your home and make the humidifier work harder.

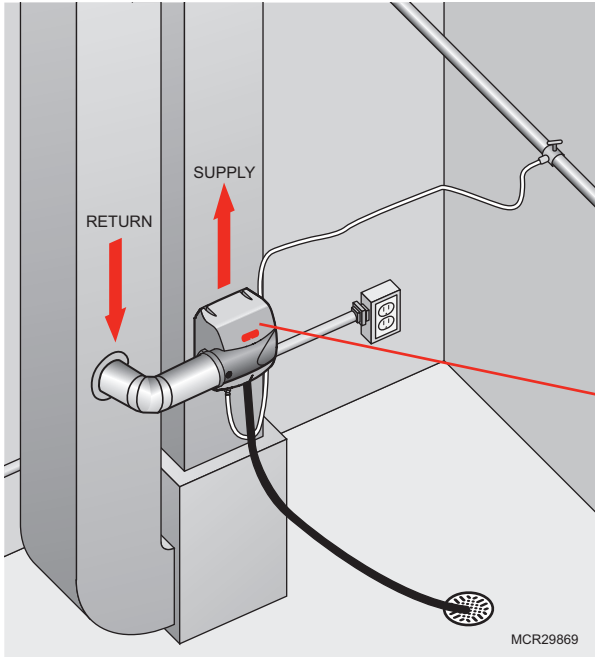
Your professional installer or salesperson will have considered these and other factors when choosing the best humidifier model for your unique situation.



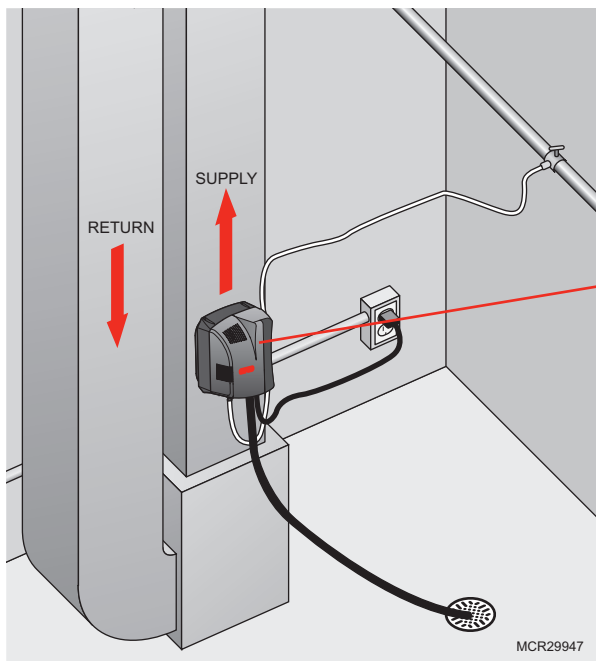
# How is my humidifier installed?

Your HVAC professional installer will install the humidifier in a proper location in your home, on either the Return or Supply duct of your HVAC system.

YOUR NEW HUMIDIFIER



The humidifier bypass model is installed directly onto the Supply (hot) or Return (cool) air duct of your HVAC system. Air flows through the humidifier pad in the humidifier into the duct for distribution throughout your home.

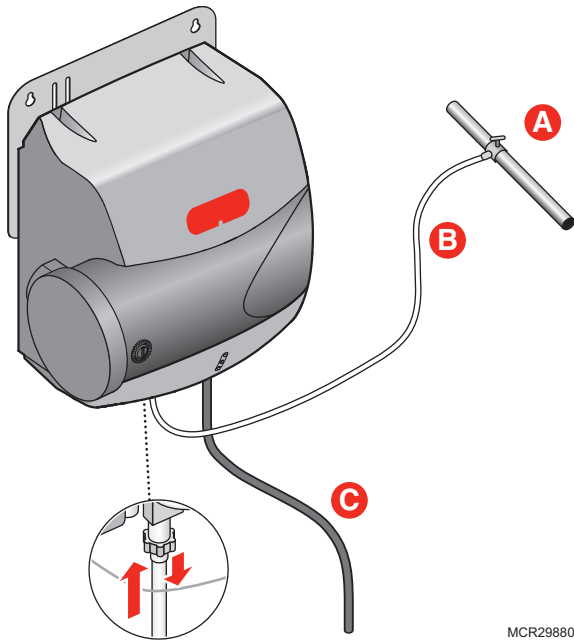


The humidifier fan model is installed directly onto the Supply (hot) or Return (cool) air duct of your HVAC system. The humidifier's fan draws air through the humidifier pad in the humidifier and back into the duct for distribution throughout your home.



# What humidifier parts do I need to know?

Your humidifier installation includes the following parts and components that you should be familiar with:



MCR29880

## A. Water Connection with Shutoff Valve

Provides the connection from your home water supply to the humidifier. Your installer may have used the saddle valve that came with the humidifier, or may have chosen a different type of connection. This connection must include a shutoff valve for you to turn off water supply to the humidifier, if necessary.

## B. Water Supply Line

This 1/4-inch line brings water to the humidifier from the water connection. Your installer may have used plastic or copper supply line.

## C. Water Drain Line

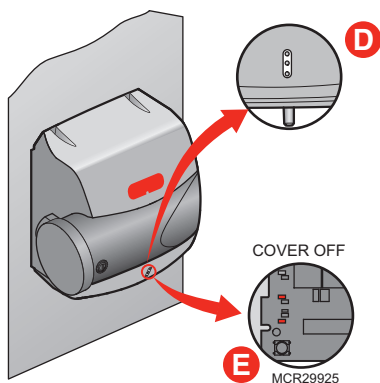
This 1/2-inch hose drains water from the humidifier to a drain in your home.

## D. LEDs (HE150/HE250/HE300 only)

The three lights indicate the humidifier's operational status and when service is required. See "Humidifier lights and button" on page 10.

## E. RESET Button (HE150/HE250/HE300 only)

The RESET button is the only user button located on the humidifier. Use the RESET button to manually reset the humidifier when the Change Pad or Service LEDs are on. See "Humidifier lights and button" on page 10.



MCR29925

## Power

The Fan model is plugged into a 120 volt AC household electrical outlet. Unplug the power cord to turn off power.

The Bypass models are wired to a 15VA transformer. To turn off power to these models, trip the circuit to the junction box the transformer is connected to.

# What should I expect from my humidifier?

Honeywell wants to make sure you know what to expect from your humidifier. Feel free to discuss these items with your installer:

- **Achieving Humidity Setpoint.** It may take up to a week of continuous operation to achieve the humidity setpoint, especially if the home is dry when the humidifier is installed. This also depends on such factors as weather, size of home, furnishings in the home, and insulation.
- **Ideal Humidity.** Home building industry experts cite 35% relative humidity as ideal for comfort and safeguarding the home during the typical dry season. Adjust your humidity control to your comfort or until there is condensation on the windows. Lower the setpoint if condensation appears.
- **Unit Not Humidifying.** If the humidifier is not running but the humidity is below the setpoint, the humidity control may have a frost protection setting to prevent window condensation from appearing. See “*What is a frost setting?*” on the next page.
- **Home Ventilation.** Excessive ventilation sends moist air outside and replaces it with dry air. If the home is drafty or has mechanical ventilators installed, it may be hard to maintain the humidity setpoint. If installing a ventilator, use a solution that retains moisture. An Energy Recovery Ventilator (ERV) is recommended.
- **Cleaning Requirements.** At least once per year it is recommended to change the humidifier pad and clean the water trays of the humidifier. See *Cleaning and Maintenance section for details.*
- **Energy Consumption.** You may notice a slight increase in overall energy consumption when operating any humidifier. However, humidified air feels warmer than dry air. This allows you to lower the temperature setting on the thermostat. Every degree lower on the thermostat can save up to 3% on heating costs.

# How do I operate the humidifier?

Once the humidifier is installed and running, operation is automatic. Use the humidity control provided to make any changes to the setpoint.

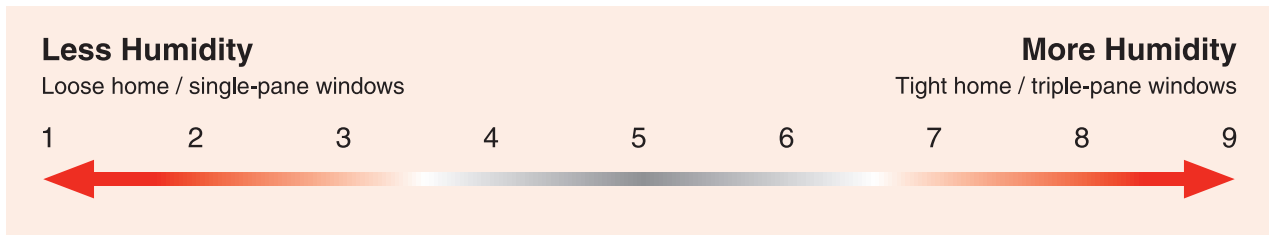
If you have questions about how to operate the humidifier, ask your installer.

- **How do I use the humidity control?** When humidity in the home is lower than the humidity control's setpoint, the control will call for humidity. Some controls will also monitor outdoor conditions to ensure indoor humidity does not condense on windows and walls.
- **What should my humidity setpoint be?** The outdoor air temperature affects how much humidity can be retained by the air in your home. Use this table as a starting point. Then adjust the humidity control to your own comfort or until condensation appears on the windows, at which point you should lower the setpoint.

Outdoor Temperature	Recommended Relative Humidity Setting
-20°F (-29°C)	15%
-10°F (-2-3°C)	20%
0°F (-18°C)	25%
10°F (-12°C)	30%
20°F (-7°C)	35%
>20°F (-1°C)	35%

- **What is a frost setting?** Some humidity controls (such as Prestige, VisionPRO IAQ, and TrueIAQ) contain a Window Frost Protection feature that limits humidity output based on outdoor conditions. For example, on colder days, the air in your home can hold less humidity. The humidity control automatically lowers the humidity setpoint accordingly, to prevent frost from appearing on the inside of your windows.

Lower the frost setting by one value each morning that you see frost or condensation on windows. Allow 24 hours for the new setting to take effect before re-adjusting. Once you have this set to a comfortable level without condensation, you will not need to adjust further. You can adjust your humidity setpoint without worrying about condensation.

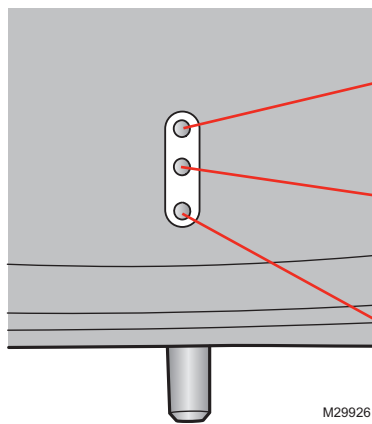


M27982

Manual humidity controls (such as the H8908) do not have built-in frost settings. They require you to adjust the humidity setpoint when the outdoor temperature changes. Use higher humidity setpoints when the temperature is warmer, and lower setpoints when the temperature is cooler.

# Humidifier lights and button (HE150/HE250/HE300 only)

The three lights provide feedback on humidifier operation.



## Humidifying

When this light is on, it indicates the humidifier is running.

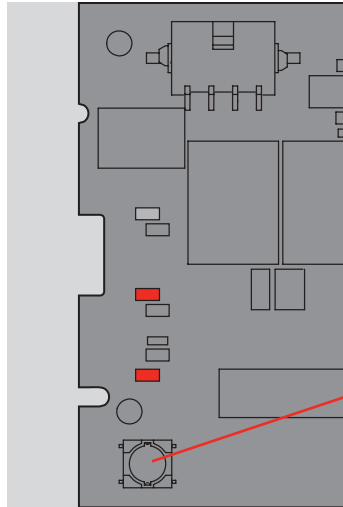
## Service

When this light is on, it indicates an operational fault has occurred. Call an HVAC professional for repair.

## Change Pad

When this light is on, it indicates that it is time to change the humidifier pad. See *“Replace the humidifier pad”* on the next page.

Humidifier Model	Replacement Pad Part Number
HE300	HC26E1004
HE250	
HE200	
HE150	HC22E1003
HE100	



## RESET

The RESET button is under the cover. This button resets the timer that tracks when the humidifier pad needs changing. When you change the pad, press the RESET button.

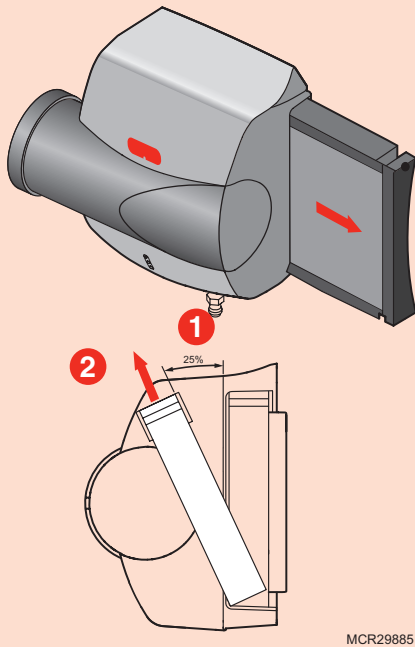
The RESET button also clears a Service light. If the Service light comes back on after you press the RESET button, call an HVAC professional for repair.

# Replace the humidifier pad

It is recommended that the humidifier pad be replaced once per year. This can be done at the beginning or the end of the dry season. The humidifier design makes this annual replacement quick and easy, providing one-step access to the pad.

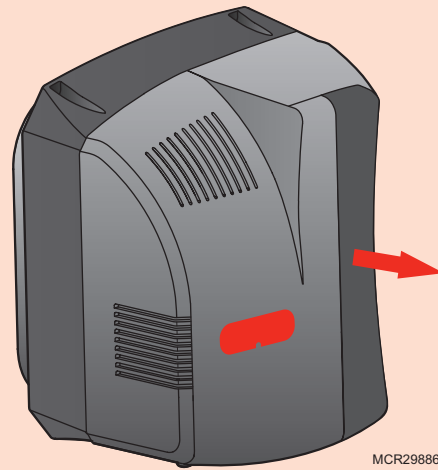
### Bypass:

1a. Pad can be replaced from the side by gripping the black handle and pulling out, or from the front by removing the humidifier's top cover and rocking the pad forward and out. Humidifier pad might remove from other side of the humidifier, depending on installation.



### Fan:

1b. Pad can be replaced from the front by gripping the black handle and pulling out.



2. Remove tray on top of the pad, and wipe free any sediment present within the tray.
3. Replace the old pad with the new, making sure pad is oriented correctly (see pad box). Wipe free any sediment present inside the pad frame.

Humidifier Model	Replacement Pad Part Number
HE300	HC26E1004
HE250	
HE200	
HE150	HC22E1003
HE100	

4. Reseat the tray on top of the pad with the arrows inside the tray pointing into the duct. Then reinsert the frame into the humidifier.

## What should I do at the end of the season?

At the end of the humidifying season:

1. Turn the humidistat to Off.
2. Shut off the water valve on the water supply line to the humidifier.

**On Basic models HE100 and HE200:**

3. Turn the Damper Position knob on the bypass outlet so that it is perpendicular to the bypass outlet.
4. Remember to turn the Damper Position knob on the bypass outlet back to its original (open) position at the beginning of the next dry season.

# Troubleshooting

## What if I am having a problem with the humidifier?

If you have difficulty with the humidifier, please try the following suggestions. Most problems can be corrected quickly and easily.

<b>Problem</b>	<b>What To Look For</b>	<b>What To Do</b>
Low humidity	Furnace blower not operating	<ol style="list-style-type: none"><li>1. Reset circuit breaker or check for blown fuse.</li><li>2. Check that the furnace power is on.</li><li>3. Check the humidity control setting.</li><li>4. Call a professional heating contractor</li></ol>
	Rapid air changes or drafts	<ol style="list-style-type: none"><li>1. Keep doors and windows closed.</li><li>2. Close fireplace damper when not in use.</li><li>3. Keep exhaust fan running time to a minimum.</li><li>4. Seal around doors and windows.</li></ol>
High humidity	Condensation on walls	<ol style="list-style-type: none"><li>1. Turn off humidity control and water until condensation is completely evaporated.</li></ol>
	Heavy condensation on windows	<ol style="list-style-type: none"><li>1. Turn humidity control down low enough to eliminate condensation caused by moisture. If moisture persists, more ventilation is needed.</li></ol>
Replace Pad light is blinking (HE150/HE250/HE300)	This is the yearly maintenance reminder to replace the pad inside the humidifier	<ol style="list-style-type: none"><li>1. Replace the pad for your humidifier model.</li><li>2. See "Replace the humidifier pad" section for details.</li><li>3. Once pad is replaced, press the RESET button under the wire cover.</li></ol>
Service light is on (HE150/HE250)	The damper inside the bypass has failed to open completely or the air proving switch sensed a lack of air movement	<ol style="list-style-type: none"><li>1. Press the RESET button under the wire cover.</li><li>2. If fault persists, call an HVAC professional.</li></ol>
Service light is on (HE300)	The fan motor has failed or the air proving switch sensed a lack of air movement	<ol style="list-style-type: none"><li>1. Press the RESET button under the wire cover.</li><li>2. If fault persists, call an HVAC professional.</li></ol>

## 5-Year Limited Warranty

Honeywell warrants this product to be free from defects in the workmanship or materials, under normal use and service, for a period of five (5) years from the date of purchase by the consumer. If at any time during the warranty period the product is determined to be defective or malfunctions, Honeywell shall repair or replace it (at Honeywell's option).

If the product is defective,

- (i) return it, with a bill of sale or other dated proof of purchase, to the place from which you purchased it; or
- (ii) call Honeywell Customer Care at 1-800-468-1502. Customer Care will make the determination whether the product should be returned to the following address: Honeywell Return Goods, Dock 4 MN10-3860, 1885 Douglas Dr. N., Golden Valley, MN 55422, or whether a replacement product can be sent to you.

This warranty does not cover removal or reinstallation costs. This warranty shall not apply if it is shown by Honeywell that the defect or malfunction was caused by damage which occurred while the product was in the possession of a consumer.

Honeywell's sole responsibility shall be to repair or replace the product within the terms stated above. HONEYWELL SHALL NOT BE LIABLE FOR ANY LOSS OR DAMAGE OF ANY KIND, INCLUDING ANY INCIDENTAL OR CONSEQUENTIAL DAMAGES RESULTING, DIRECTLY OR INDIRECTLY, FROM ANY BREACH OF ANY WARRANTY, EXPRESS OR IMPLIED, OR ANY OTHER FAILURE OF THIS PRODUCT. Some states do not allow the exclusion or limitation of incidental or consequential damages, so this limitation may not apply to you.

THIS WARRANTY IS THE ONLY EXPRESS WARRANTY HONEYWELL MAKES ON THIS PRODUCT. THE DURATION OF ANY IMPLIED WARRANTIES, INCLUDING THE WARRANTIES OF MERCHANTABILITY AND FITNESS FOR A PARTICULAR PURPOSE, IS HEREBY LIMITED TO THE FIVE-YEAR DURATION OF THIS WARRANTY. Some states do not allow limitations on how long an implied warranty lasts, so the above limitation may not apply to you.

This warranty gives you specific legal rights, and you may have other rights which vary from state to state.

If you have any questions concerning this warranty, please write Honeywell Customer Relations, 1985 Douglas Dr. Golden Valley, MN 55422 or call 1-800-468-1502. In Canada, write Retail Products ON15-02H, Honeywell Limited/Honeywell Limitée, 35 Dynamic Drive, Toronto, Ontario M1V 4Z9.

### **Automation and Control Solutions**

Honeywell International Inc.  
1985 Douglas Drive North  
Golden Valley, MN 55422

Honeywell Limited–Honeywell Limitée  
35 Dynamic Drive  
Toronto, Ontario M1V 4Z9  
<http://yourhome.honeywell.com>

The Honeywell logo is displayed in a bold, red, sans-serif font.

© U.S. Registered Trademark  
© 2010 Honeywell International Inc.  
69-2414EF—01 M.S. 03-10  
Printed in U.S.A.



# Humidificateur

**GUIDE DE FONCTIONNEMENT POUR LE PROPRIÉTAIRE**





# Humidificateur

## INTRODUCTION

Définitions et précautions relatives à la sécurité . . . .	2
Bienvenue . . . . .	3
En quoi l'humidificateur est-il différent des autres humidificateurs à circulation directe? . . . .	3
Par quoi dois-je commencer? . . . . .	3
Comment fonctionne l'humidificateur? . . . . .	4

## VOTRE NOUVEAU HUMIDIFICATEUR

Quel modèle d'humidificateur ai-je en ma possession? . . . . .	5
Comment mon humidificateur est-il installé? . . . . .	6
Quelles sont les pièces de l'humidificateur qu'il importe de connaître? . . . . .	7
Que dois-je attendre de l'humidificateur? . . . . .	8

## FONCTIONNEMENT QUOTIDIEN

Comment fonctionne l'humidificateur? . . . . .	9
Comment utiliser le régulateur d'humidité? . . . . .	9
Comment établir le point de consigne d'humidité? . . . . .	9
Qu'est-ce que le réglage de protection contre le gel? . . . . .	9
Voyants et bouton de l'humidificateur . . . . .	10

## NETTOYAGE ET ENTRETIEN

Remplacement du tampon de l'humidificateur . . . . .	11
Que dois-je faire à la fin de la saison? . . . . .	12
Dépannage . . . . .	13

## GARANTIE

Garantie limitée de 5 ans. . . . .	14
------------------------------------	----



**BESOIN D'AIDE?** Pour de l'assistance au sujet de ce produit, veuillez consulter le site <http://yourhome.honeywell.com> ou téléphoner sans frais aux Services à la clientèle de Honeywell au 1-800-468-1502.

## Lire et conserver ces instructions.

© Marque de commerce déposée aux États-Unis. Brevets en instance. Copyright © 2010 Honeywell International Inc. Tous droits réservés.

# Définitions et précautions relatives à la sécurité

## L'installation doit être faite par un technicien d'expérience ayant reçu la formation pertinente.

Lire attentivement ces instructions. Le fait de ne pas les suivre risque d'endommager le produit ou de constituer un danger.

Veillez lire ce manuel dans son intégralité. Il est important de comprendre le fonctionnement de l'humidificateur et de savoir exécuter les procédures d'entretien requises en toute sécurité. Assurez-vous de lire et de comprendre toutes les étiquettes faisant mention de consignes de sécurité qui sont apposées sur l'humidificateur ou à proximité de ce dernier. Ces étiquettes fournissent des instructions supplémentaires et des consignes de sécurité importantes.

### Définitions relatives à la sécurité

L'information portant sur l'identification des termes de sécurité doit être lue.

**⚠ MISE EN GARDE :** Indique une situation dangereuse qui, si elle n'est pas évitée, risque d'endommager le produit ou de causer des blessures corporelles.

**⚠ AVERTISSEMENT :** Indique une situation dangereuse qui, si elle n'est pas évitée, risque de causer des blessures graves, voire mortelles.

### Précautions relatives à la sécurité

**⚠ AVERTISSEMENT :** Risque d'électrocution.

L'humidificateur utilise une tension de 120 V c.a. qui peut causer des blessures graves, voire mortelles. Prenez des précautions lors de l'entretien de l'humidificateur ou pour retirer son couvercle. En cas de doute, débranchez l'humidificateur de même que l'équipement CVCA avant d'effectuer les travaux de réparation.

**⚠ MISE EN GARDE :** Matériel lourd et risque de dégâts d'eau.

Une installation incorrecte ou une mauvaise utilisation peuvent causer la mort, la cécité, des dégâts matériels et des défaillances de l'équipement de CVCA. Assurez-vous de bien savoir éteindre l'humidificateur.

**⚠ MISE EN GARDE :** Risque de condensation, d'incendie et de gel de l'eau.

Peut causer la défaillance du ventilateur ou du limiteur, de même que des dégâts d'eau domestiques.

# Bienvenue!

Nous vous félicitons d'avoir fait l'acquisition de ce nouvel humidificateur.

L'humidificateur de Honeywell fournit le confort d'un air humidifié, avec une plus grande facilité d'entretien que les humidificateurs conventionnels. Nous sommes confiants que l'humidificateur sera un ajout apprécié dans votre domicile.

- **En quoi l'humidificateur est-il différent des autres humidificateurs à circulation directe?**

**Tous les modèles :**

- L'humidificateur fonctionne automatiquement, comme un thermostat, de manière à maintenir votre domicile au taux hygrométrique souhaité.
- L'humidificateur est facile à entretenir : il suffit d'en changer le tampon une fois par an. Le tampon est facile d'accès et sa dépose ne requiert aucun outil
- L'humidificateur fournit de l'humidité lorsqu'elle est nécessaire, et pas seulement lorsque le chauffage est en marche. Cela vous permet d'obtenir des taux d'hygrométries idéaux pour votre domicile, tout au long de l'année.

**Modèles avancés :**

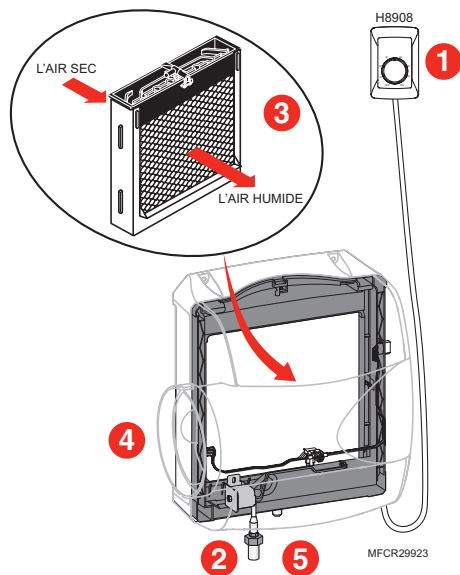
- L'humidificateur utilise moins d'eau que les humidificateurs à circulation directe.

- **Par quoi dois-je commencer?** Votre humidificateur doit être installé par un installateur professionnel en CVCA. Si l'humidificateur vient tout juste d'être installé, il devrait fonctionner et humidifier votre domicile ou être en attente d'une demande de production d'humidité du régulateur d'humidité.

Une fois que l'humidificateur fonctionne, votre seule tâche consiste à régler le régulateur d'humidité au réglage d'humidité qui vous convient.

- Veuillez lire ce guide dans son intégralité pour découvrir des astuces qui vous permettront d'utiliser l'humidificateur au meilleur de ses capacités.
- Veuillez lire le guide de régulateur de l'humidité et assurez-vous de savoir comment faire fonctionner le système.
- Si vous avez des questions maintenant ou plus tard, veuillez consulter ce manuel ou votre installateur.

## Comment fonctionne l'humidificateur?



1. Une demande de production en humidité est acheminée par le régulateur d'humidité fourni avec l'humidificateur. Le régulateur d'humidité est branché à l'humidificateur par l'intermédiaire de fils.
2. Le solénoïde s'active, permettant à l'eau de circuler par le tampon de l'humidificateur.
3. L'air de votre système de CVCA circule par le tampon et recueille l'humidité du tampon de l'humidificateur.
4. Le ventilateur de votre système de CVCA délivre de l'air humide dans toute votre maison.
5. Lorsque l'humidité dans votre maison atteint le point de consigne, l'appel d'humidité cesse et le solénoïde interrompt le débit d'eau au tampon.

# Quel modèle d'humidificateur ai-je en ma possession?

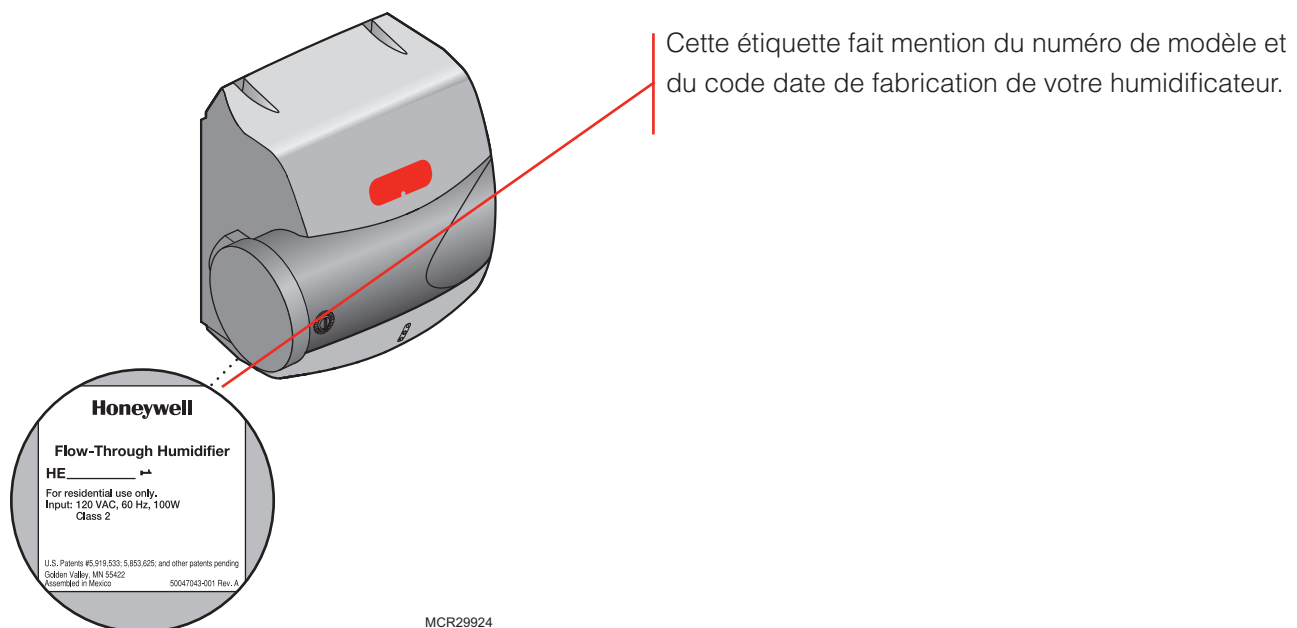
L'humidificateur est disponible en cinq modèles de dimensions et de fonctions différentes :

- HE100 Le modèle HE100 fournit à votre habitation jusqu'à 12 gallons d'humidité. Il est adapté aux habitations jusqu'à 16 000 pieds cubes.
- HE150 Le modèle HE150 fournit à votre habitation jusqu'à 12 gallons d'humidité. Il est adapté aux habitations jusqu'à 16 000 pieds cubes. Il inclut un registre automatique, des voyants de statut, de maintenance et d'entretien, et un fonctionnement avancé.
- HE200 Le modèle HE200 fournit jusqu'à 17 gallons d'humidité. Il est adapté aux habitations jusqu'à 20 000 pieds cubes.
- HE250 Le modèle HE250 fournit à votre habitation jusqu'à 17 gallons d'humidité. Il est adapté aux habitations jusqu'à 20 000 pieds cubes. Il inclut un registre automatique, des voyants de statut, de maintenance et d'entretien, et un fonctionnement avancé.
- HE300 Le modèle HE300 fournit jusqu'à 18 gallons d'humidité. Il est adapté aux habitations jusqu'à 24 000 pieds cubes. Il inclut un registre automatique, des voyants de statut, de maintenance et d'entretien, et un fonctionnement avancé.

VOTRE NOUVEAU  
HUMIDIFICATEUR

Certaines activités au sein de votre habitation peuvent causer des durées de fonctionnement plus longues de votre humidificateur. Des foyers ventilés, de fortes aspirations générées par des ventilateurs ou des sècheuses peuvent réduire l'humidité du domicile ce qui aura pour conséquence d'accroître l'utilisation de l'humidificateur.

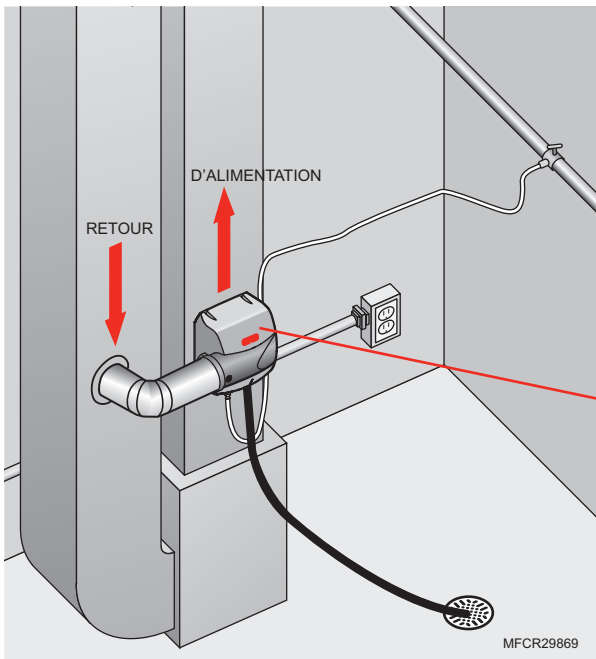
Votre installateur professionnel ou votre vendeur ont pris ces facteurs en compte avant de vous proposer le modèle d'humidificateur convenant le mieux à votre environnement.



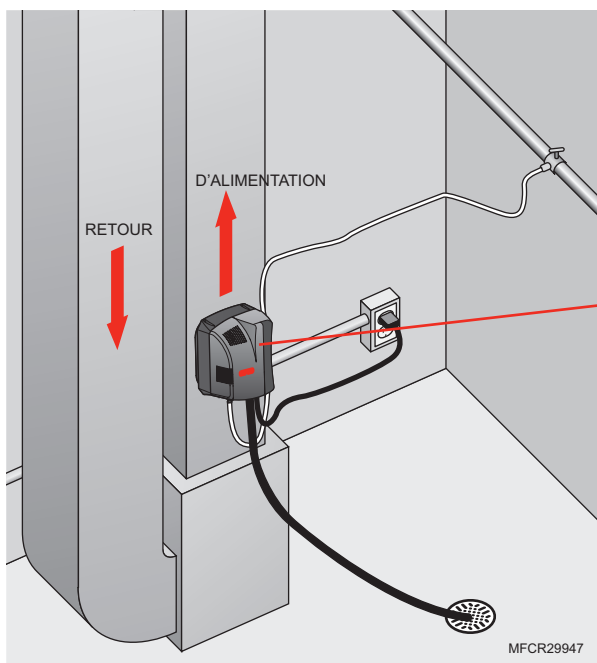
## Comment mon humidificateur est-il installé?

Votre installateur professionnel en CVCA installera l'humidificateur dans un endroit approprié de votre maison, sur la conduite de retour ou d'alimentation de votre système de CVCA.

VOTRE NOUVEAU  
HUMIDIFICATEUR



Le modèle à dérivation de l'humidificateur s'installe directement sur la gaine d'alimentation (chaud) ou de retour (froid) de votre système de CVCA. L'air circule par le tampon de l'humidificateur dans la gaine pour être distribué dans toute la maison.

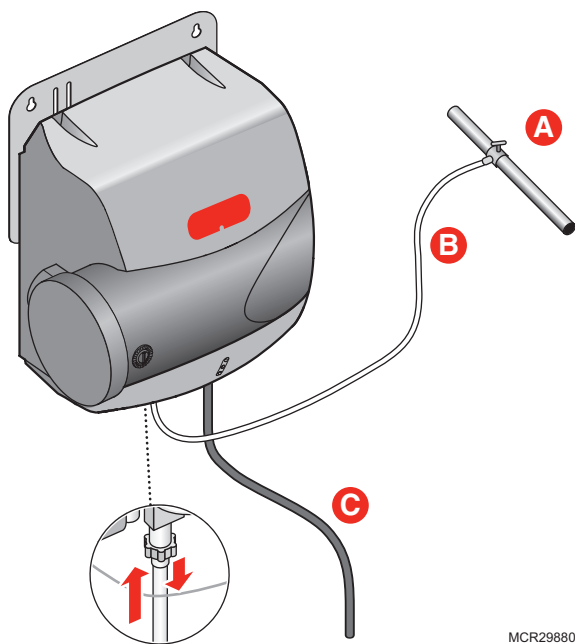


Le modèle à ventilateur de l'humidificateur s'installe directement sur la gaine d'alimentation (chaud) ou de retour (froid) de votre système de CVCA. Le ventilateur de l'humidificateur aspire l'air par le tampon de l'humidificateur et le renvoie dans la gaine pour qu'il soit distribué dans toute la maison.



# Quelles sont les pièces de l'humidificateur qu'il importe de connaître?

L'installation de l'humidificateur inclut les pièces et les composants suivants que vous devriez connaître :



MCR29880

## A. Raccordement d'eau avec robinet de coupure

Assurez la connexion de l'arrivée d'eau de la maison à l'humidificateur. L'installateur peut avoir utilisé la vanne à étrier fournie avec l'humidificateur, ou peut avoir choisi un autre type de raccord. Ce raccord doit inclure une vanne d'arrêt pour vous permettre de couper le débit d'eau à l'humidificateur, au besoin.

## B. Canalisation d'alimentation en eau

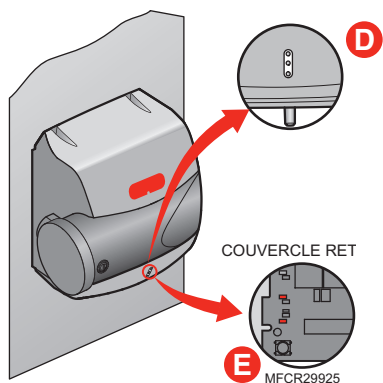
Cette canalisation de 1/4 po dirige l'eau vers l'humidificateur à partir de votre raccord d'eau. L'installateur peut utiliser une gaine en plastique ou en cuivre.

## C. Conduite d'évacuation de l'eau

Le tuyau de 1/2 po évacue l'eau de l'humidificateur dans un drain de votre domicile.

## D. Voyants DEL (HE150/HE250/HE300 uniquement)

Ces trois voyants indiquent le statut de fonctionnement de l'humidificateur et la nécessité d'effectuer un entretien. Consultez « Voyants et bouton de l'humidificateur » à la page 10.



MFCR29925

## E. Bouton de RÉINITIALISATION (RESET) (HE150/HE250/HE300 uniquement)

Le bouton RÉINITIALISATION (RESET) est le seul bouton destiné à l'utilisateur situé sur l'humidificateur. Utilisez le bouton RÉINITIALISER (RESET) pour réinitialiser manuellement l'humidificateur lorsque les voyants DEL indiquant Remplacer le tampon (Change Pad) ou Entretien (Service) sont allumés. Consultez « Voyants et bouton de l'humidificateur » à la page 10.

## Alimentation

Le modèle à ventilateur est branché dans une prise de courant domestique de 120 volts c.a. Débranchez le cordon d'alimentation pour couper l'alimentation.

Les modèles à dérivation sont reliés à un transformateur de 15 VA. Pour couper l'alimentation sur ces modèles, déclenchez le circuit à la boîte de jonction à laquelle le transformateur est relié.

# Que dois-je attendre de l'humidificateur?

Honeywell veut s'assurer que vous savez à quoi vous attendre concernant votre humidificateur. N'hésitez pas à discuter des points suivants avec votre installateur :

- **Établissement du point de consigne d'humidité.** Un fonctionnement continu jusqu'à une semaine peut être requis pour atteindre le point de consigne d'humidité, en particulier si l'air de la maison est sec lorsque l'humidificateur est installé. Ceci peut aussi dépendre de facteurs comme la température, la superficie de la maison, l'ameublement et l'isolation.
- **Humidité idéale.** Les experts de l'industrie de la construction résidentielle citent une humidité relative de 35 % pour un confort idéal et pour préserver l'habitation durant la saison sèche typique. Réglez l'humidité selon vos préférences ou jusqu'à ce qu'il y ait de la condensation sur les fenêtres. Abaissez le point de consigne si de la condensation se forme.
- **L'unité ne génère pas d'humidité.** Si l'humidificateur ne fonctionne pas, mais que l'humidité est sous le point de consigne, le régulateur d'humidité peut être doté d'un réglage de protection contre le gel pour éviter la formation de condensation sur les fenêtres. *Consultez « Qu'est-ce que le réglage de protection contre le gel » à la page suivante.*
- **Ventilation résidentielle.** Une ventilation excessive chasse l'air humide à l'extérieur et le remplace par de l'air sec. Si la maison a des courants d'air ou des ventilateurs mécaniques, il peut être difficile de maintenir le point de consigne d'humidité. Si vous installez un ventilateur, utilisez une solution qui conserve l'humidité. L'utilisation d'un ventilateur récupérateur d'énergie (ERV) est recommandée.
- **Exigences de nettoyage.** Il est recommandé de remplacer le tampon de l'humidificateur et de nettoyer les bacs d'eau de l'humidificateur au moins une fois par an. *Consultez la section Nettoyage et entretien pour les détails.*
- **Consommation d'énergie.** L'utilisation de l'humidificateur pourrait causer une légère augmentation de la consommation énergétique globale lors de l'utilisation de l'humidificateur. L'air humidifié semble toutefois plus chaud que l'air sec. Cela vous permettra d'abaisser le réglage de température du thermostat. Chaque degré en moins sur le thermostat peut permettre de réaliser des économies allant jusqu'à 3 % des coûts en chauffage.

# Comment fonctionne l'humidificateur?

Une fois l'humidificateur installé et fonctionnel, le fonctionnement est automatique. Utilisez le régulateur d'humidité fourni pour modifier le réglage du point de consigne.

Pour toute question sur le fonctionnement de l'humidificateur, consultez votre installateur.

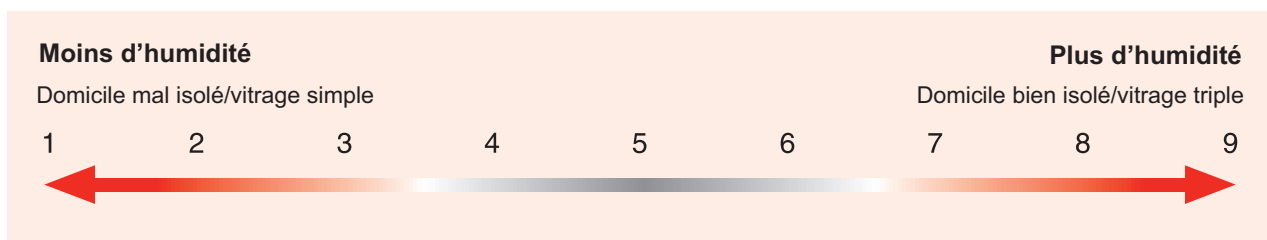
- **Comment utiliser le régulateur d'humidité?** Le régulateur fait une demande de production d'humidité lorsque le taux hygrométrique de la résidence est inférieur au point de consigne du régulateur. Certains régulateurs surveillent également les conditions extérieures pour s'assurer que l'humidité intérieure ne crée pas de condensation sur les fenêtres et les murs.

- **Comment établir le point de consigne d'humidité?** La température de l'air extérieur a une incidence sur la quantité d'humidité présente dans l'air de votre domicile. Utilisez ce tableau comme point de départ. Réglez ensuite le régulateur d'humidité selon vos préférences, ou jusqu'à ce que de la condensation apparaisse sur les fenêtres, ce qui indique que le point de consigne doit être réduit.

- **Qu'est-ce que le réglage de protection contre le gel?** Certains régulateurs d'humidité (comme les modèles Prestige, VisionPRO IAQ et TruelAQ) sont équipés d'une protection contre le gel qui limite la production d'humidité en fonction des conditions extérieures. Le taux d'humidité de votre domicile devrait être moins élevé par temps froid. Le régulateur d'humidité abaisse automatiquement le point de consigne d'humidité en fonction de la température extérieure de manière à empêcher la formation de givre à l'intérieur des fenêtres.

Température extérieure	Réglage d'humidité relative recommandé
-20°F (-29°C)	15%
-10°F (-2-3°C)	20%
0°F (-18°C)	25%
10°F (-12°C)	30%
20°F (-7°C)	35%
>20°F (-1°C)	35%

Placez le réglage de protection contre le gel à une position inférieure (d'une valeur) chaque matin où vous apercevez du givre ou de la condensation sur les fenêtres. Attendez 24 heures avant de régler de nouveau le régulateur. Aucun autre ajustement ne sera nécessaire une fois qu'un niveau de confort acceptable sans formation de condensation aura été atteint. Vous réglez le point de consigne d'humidité sans avoir à vous soucier de la condensation.

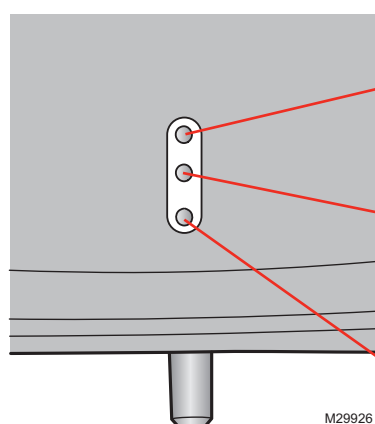


MF27982

Les régulateurs d'humidité manuels (comme le modèle H8909) ne sont pas équipés de réglages de protection contre le gel. L'utilisateur doit régler le point de consigne d'humidité lorsque la température extérieure varie. Utilisez des points de consigne d'humidité plus hauts lorsque la température extérieure est plus chaude, et des points de consigne plus bas lorsqu'elle est plus froide.

# Voyants et bouton de l'humidificateur (HE150/HE250/HE300 uniquement)

Les trois voyants donnent des indications sur le fonctionnement de l'humidificateur.



## Humidification

Lorsque le voyant est allumé, il indique que l'humidificateur fonctionne.

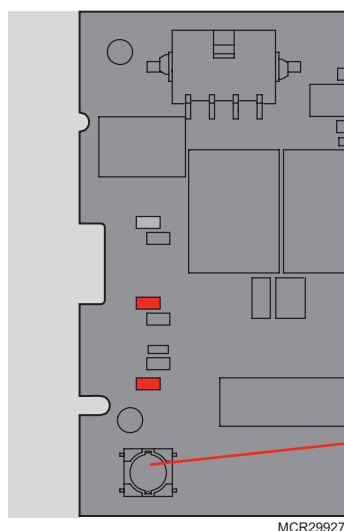
## Service

Lorsque ce voyant est allumé, il indique qu'une panne opérationnelle a eu lieu. Appelez un professionnel en CVCA pour les réparations.

## Remplacement du tampon

Lorsque ce voyant est allumé, il indique qu'il est temps de remplacer le tampon de l'humidificateur. Consultez « Remplacement du tampon de l'humidificateur » à la page suivante.

Modèle de l'humidificateur	Référence du tampon de rechange
HE300	HC26E1004
HE250	
HE200	
HE150	HC22E1003
HE100	



## RÉINITIALISATION

Le bouton RÉINITIALISATION (Reset) est situé sous le couvercle. Ce bouton permet de réinitialiser la minuterie indiquant l'intervalle de remplacement du tampon de l'humidificateur. Lorsque vous remplacez le tampon, appuyez sur le bouton RÉINITIALISATION (Reset).

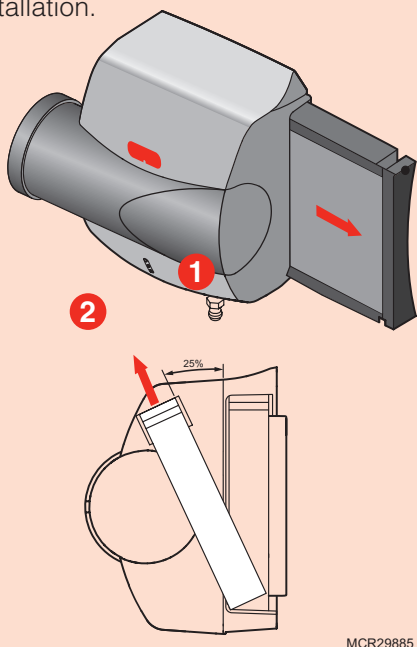
Le bouton RÉINITIALISATION (Reset) permet également d'éteindre le voyant d'entretien. Si le voyant d'entretien se rallume une fois que le bouton RÉINITIALISATION (Reset) a été pressé, appelez un professionnel de CVCA pour les réparations.

# Remplacement du tampon de l'humidificateur

Il est recommandé de remplacer le tampon de l'humidificateur une fois par an. Ceci peut être fait au début ou à la fin de la saison sèche. La conception de l'humidificateur permet de procéder facilement et rapidement au remplacement, car l'accès au tampon se fait en une seule étape.

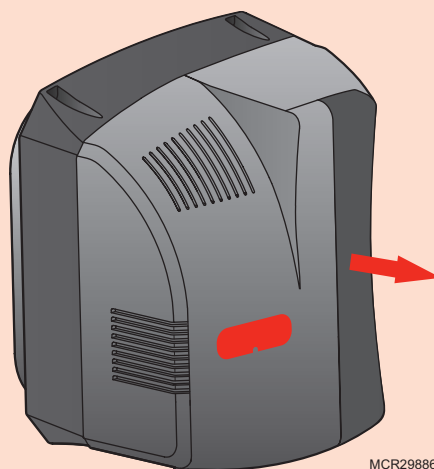
## Dérivation :

1a. Le tampon peut être remplacé par le côté en saisissant la poignée noire et en la tirant vers l'extérieur, ou par l'avant en retirant le couvercle supérieur de l'humidificateur et en faisant basculer le tampon vers l'avant et l'extérieur. Le tampon peut être retiré d'un côté ou de l'autre de l'humidificateur, en fonction de l'installation.



## Ventilateur :

1b. Le tampon peut être remplacé par l'avant en saisissant la poignée noire et en la tirant vers l'extérieur.



- Retirez le plateau en haut du tampon et essuyez-le pour retirer tout sédiment présent.
- Remplacez l'ancien tampon par un neuf, en vous assurant qu'il est correctement orienté (consultez la boîte du tampon). Essuyez tout sédiment présent à l'intérieur du cadre du tampon.

Modèle de l'humidificateur	Référence du tampon de rechange
HE300	HC26E1004
HE250	
HE200	
HE150	HC22E1003
HE100	

- Insérez de nouveau le plateau en haut du tampon avec les flèches à l'intérieur du plateau pointant dans la gaine. Réinsérez ensuite le cadre dans l'humidificateur.

## Que dois-je faire à la fin de la saison?

À la fin de la saison d'humidification :

1. Mettez l'humidistat sur Arrêt.
2. Fermez le robinet d'eau sur la conduite d'alimentation en eau allant vers l'humidificateur.

**Sur les modèles HE100 et HE200 de base :**

3. Mettez le bouton de position du registre sur la prise de dérivation pour qu'il soit perpendiculaire à la prise de dérivation.
4. N'oubliez pas de remettre le bouton de position du registre sur la prise de la dérivation à sa position d'origine (ouverte) au début de la saison sèche suivante.

# Dépannage

## Que dois-je faire en cas de problème avec l'humidificateur?

Si vous éprouvez des difficultés avec votre humidificateur, nous vous proposons d'essayer les solutions suivantes. La plupart des problèmes peuvent être réglés rapidement et facilement.

Problème	Raisons	Solutions
Basse humidité	La soufflante de l'appareil de chauffage ne fonctionne pas	<ol style="list-style-type: none"><li>1. Réenclenchez votre disjoncteur ou recherchez un fusible grillé.</li><li>2. Assurez-vous que l'appareil de chauffage est alimenté en courant.</li><li>3. Vérifiez le réglage du régulateur d'humidité.</li><li>4. Appelez un professionnel du chauffage</li></ol>
	Changements d'air rapides ou courants d'air	<ol style="list-style-type: none"><li>1. Gardez les portes et les fenêtres fermées.</li><li>2. Fermez le registre du foyer s'il n'est pas utilisé.</li><li>3. Limitez l'utilisation du ventilateur d'échappement.</li><li>4. Étancheisez le pourtour des portes et des fenêtres.</li></ol>
Haute humidité	Condensation sur les murs	<ol style="list-style-type: none"><li>1. Coupez le régulateur d'humidité et l'eau jusqu'à ce que la condensation ait disparu.</li></ol>
	Forte condensation sur les fenêtres	<ol style="list-style-type: none"><li>1. Réduisez le régulateur d'humidité de façon à éliminer la condensation créée par l'humidité. Si l'humidité persiste, le domicile doit être mieux ventilé.</li></ol>
Le voyant de remplacement du tampon clignote (HE150/HE250/HE300)	Ceci est le rappel annuel indiquant qu'il faut remplacer le tampon dans l'humidificateur	<ol style="list-style-type: none"><li>1. Remplacez le tampon correspondant à votre modèle de l'humidificateur.</li><li>2. Consultez la section « Remplacement du tampon de l'humidificateur » pour les détails.</li><li>3. Une fois le tampon remplacé, appuyez sur le bouton RESET (RÉINITIALISER) sous le couvercle.</li></ol>
Le voyant d'entretien est allumé (HE150/HE250)	Le registre dans la dérivation ne s'est pas complètement ouvert ou le commutateur de vérification de l'air a détecté une absence de mouvement d'air	<ol style="list-style-type: none"><li>1. Appuyez sur le bouton RESET (RÉINITIALISER) sous le couvercle.</li><li>2. Si la panne persiste, appelez un professionnel en CVCA.</li></ol>
Le voyant d'entretien est allumé (HE300)	Le moteur du ventilateur est en panne ou le commutateur de vérification d'air a détecté une absence de mouvement d'air	<ol style="list-style-type: none"><li>1. Appuyez sur le bouton RESET (RÉINITIALISER) sous le couvercle.</li><li>2. Si la panne persiste, appelez un professionnel en CVCA.</li></ol>

## Garantie limitée de 5 ans

Honeywell garantit ce produit, à l'exception de la pile, contre tout vice de fabrication ou de matière dans la mesure où il en est fait une utilisation et un entretien convenables, et ce, pour une période de cinq (5) ans à partir de la date d'achat par le consommateur. En cas de défectuosité ou de mauvais fonctionnement pendant la période de garantie, Honeywell remplacera ou réparera le produit (au gré de Honeywell).

Si le produit est défectueux,

(i) le retourner, accompagné d'une preuve d'achat indiquant la date d'achat, au détaillant auprès de qui il a été acheté, ou

(ii) communiquer avec les Services à la clientèle de Honeywell au numéro 1 800-468-1502. Ils vous indiqueront si vous devez envoyer le produit à l'adresse suivante : Honeywell Return Goods, Dock 4 MN10-3860, 1885 Douglas Dr. N., Golden Valley, MN 55422 ou si un produit de remplacement vous sera envoyé.

La présente garantie ne couvre pas les frais de retrait ou de réinstallation. La présente garantie ne s'appliquera pas s'il est démontré que la défectuosité ou le mauvais fonctionnement est dû à un endommagement du produit alors que le consommateur l'avait en sa possession.

La responsabilité de Honeywell se limite à réparer ou à remplacer le produit conformément aux modalités susmentionnées. HONEYWELL N'EST EN AUCUN CAS RESPONSABLE DES PERTES OU DOMMAGES, Y COMPRIS LES DOMMAGES INDIRECTS OU ACCESSOIRES DÉCOULANT DIRECTEMENT OU INDIRECTEMENT D'UNE VIOLATION QUELCONQUE D'UNE GARANTIE, EXPRESSE OU TACITE, APPLICABLE AU PRÉSENT PRODUIT. Certaines provinces ne permettent pas l'exclusion ou la restriction des dommages indirects et, par conséquent, la présente restriction peut ne pas s'appliquer.

LA PRÉSENTE GARANTIE TIENT LIEU DE TOUTES LES AUTRES GARANTIES, EXPRESSES OU TACITES, ET LES GARANTIES DE VALEUR MARCHANDE ET DE CONFORMITÉ À UNE FIN PARTICULIÈRE SONT PAR LES PRÉSENTES EXCLUES APRÈS LA PÉRIODE DE CINQ ANS DE LA PRÉSENTE GARANTIE. Certaines provinces ne permettent pas de limiter la durée des garanties tacites et, par conséquent, la présente limitation peut ne pas s'appliquer.

La présente garantie donne au consommateur des droits légaux spécifiques et peut-être certains autres droits qui peuvent varier d'une province à l'autre.

Pour toute question relative à la présente garantie, écrire à : Honeywell Customer Relations, 1985 Douglas Dr, Golden Valley MN 55422 ou téléphoner au numéro 1 800 468-1502. Au Canada, écrire à Retail Products ON15-02H, Honeywell Limited/Honeywell Limitée, 35 Dynamic Drive, Toronto (Ontario) M1V 4Z9.

### Solutions de régulation et d'automatisation

Honeywell International Inc.  
1985 Douglas Drive North  
Golden Valley, MN 55422

Honeywell Limited–Honeywell Limitée  
35 Dynamic Drive  
Toronto, Ontario M1V 4Z9  
<http://yourhome.honeywell.com>



© Marque de commerce déposée aux É.-U.  
© 2010 Honeywell International Inc.  
69-2414EF—01 M.S. 03-10  
Imprimé aux États-Unis